

QWCA-D650-S

WRD-650 to SMA

Features:
* Low VSWR

Applications:
* Wireless
* Transmitter
* Laboratory Test
* Radar

Electrical

Frequency: 6~18GHz
VSWR: 1.25 max.

Mechanical

Coax Connectors: SMA
Waveguide Size: WRD-650
Flange: FPWRD650
Material: Aluminium

How To Order

QWCA-D650-X-Y-Z

X : Connector type.

Y : Configuration type.

Z : Flange type if applicable.

Connector naming rules:

S - SMA Male (Outline A)

SF - SMA Female (Outline A)

Configuration naming rules:

E - End launch

R - Right angle (Outline A)

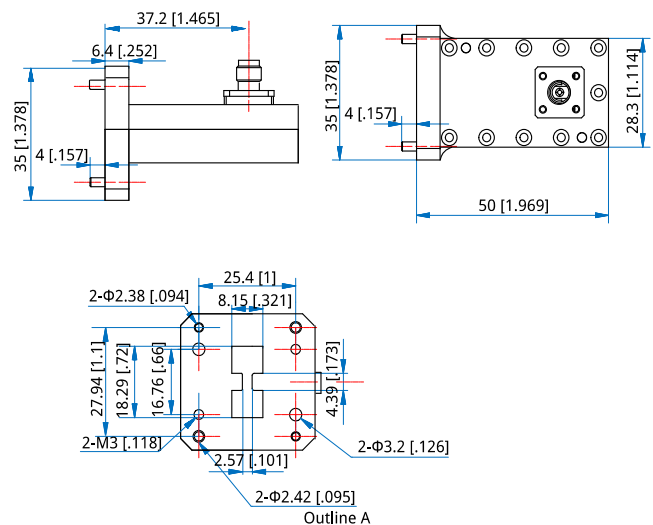
Flange naming rules:

8 - FPWRD (Outline A)

Examples:

To order a waveguide to coax adapter, WR-D650 to SMA female, right angle, FPWRD, specify QWCA-D650-SF-R-8.

Outline Drawings



Unit: mm [in]

Tolerance: $\pm 0.2\text{mm}$ [$\pm 0.008\text{in}$]